

Pairing Instructions

Press any button on the remote to wake it up. Open the bluetooth setting menu in the device you wish to pair to. Toggle your devices bluetooth to on if it is not already. Ensure your decive is in searching mode and is looking for devices to pair to. In the available devices menu, look for PRC-1 and select it. Once your device finds the remote, it will ask if you would like to pair with the remote. Select Pair and exit the settings menu. If pairing was successful, you will see blue LED stays on for 1 second.

LEDs

Red LED: The red LED stays solid when battery is in charging.

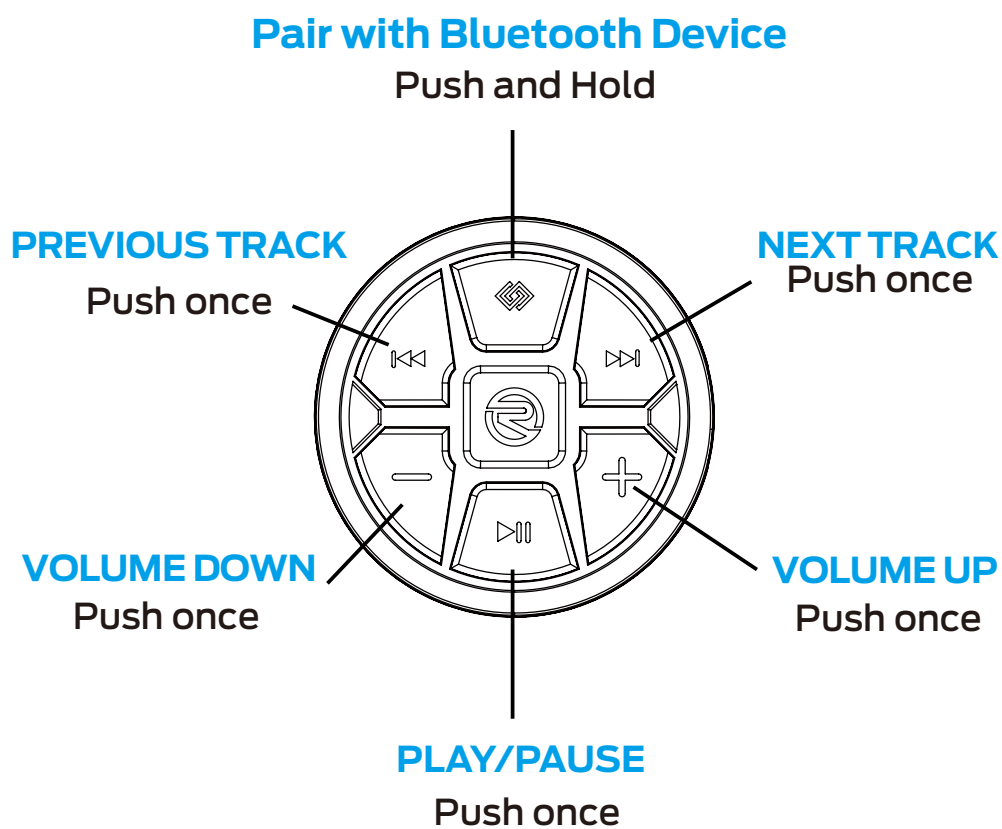
Green LED: Once the remotes battery has depleted below 3.0V, the Green LED will come onsolid and remain on at all times.

Blue LED: Press and hold power button to enter pairing mode, the Blue LED flashes waiting to be paired.

Remote Wake Up/Sleep

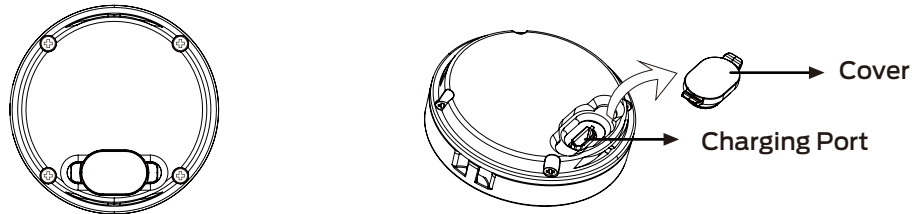
After 20 minutes, if no buttons are used, the remote will automatically go into sleep to preserve battery life. To wake it back up, simply press any button on the remote once.

Design Features And Functions



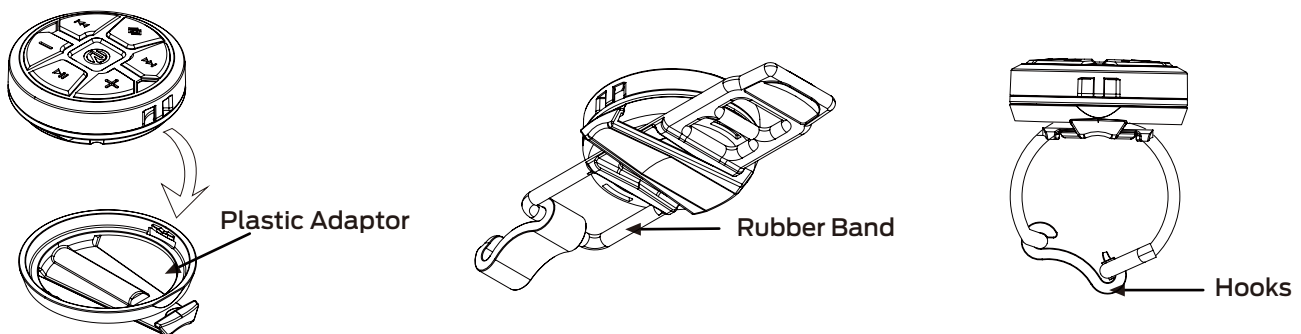
Battery Charging

Open the cover at back of the unit, you will see the micro USB charging port. Plug in any micro USB cable to charge the battery, the red LED stays on. When it is fully charged, the red LED stays off.



Steering Wheel/Bar Mount

Snap the unit into the plastic adaptor. Using the included rubber band for steering wheel & bar mount- ing, hold the rubber against the steering wheel. Wrap it around, then hook it up.



Sling

Use the included sling to carry this waterproof remote control wherever you go.

